

INTERLINK

ULTIMATE CROP PROTECTION

ENGINE FUNCTION

BUILT FOR EVERY ORCHARD. CONFIGURED FOR EVERY CHALLENGE



SCAN QR CODE TO LEARN MORE

Scan to contact your nearest Grower Services dealership for pricing, availability, and expert advice on the Interlink Power Tube range.

Request a quote and speak with the team about the best sprayer setup for your operation.

SEE OTHER SIDE FOR SPECIFICATIONS AND ADDITIONAL INFORMATION

INTERLINK

ULTIMATE CROP PROTECTION

ENGINE FUNCTION



TOTAL AIR DISPLACEMENT

Complete leaf coverage with advanced air displacement, **93,000m³/hr** airflow, and **32W** fan power.



CAT C4.4 DIESEL ENGINE

Powered by a **CAT® C4.4 industrial diesel engine** for **reliable, high-performance operation** in demanding conditions.



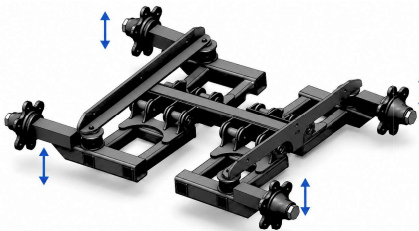
TRUSTED BY OVER
1000+
FARMERS
IN AUSTRALIA

TECHNOLOGY IN DETAIL



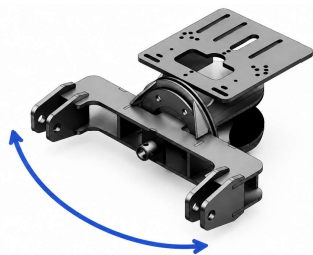
NEW POLY TWIN FAN DESIGN

New **800mm POLY Shell Casings** provide increased protection against **chemicals, rust, UV exposure, and Australia's harshest conditions.**



SUSPENSION AXLE SYSTEM

Heavy-duty 2 or 4-wheel independent suspension axle fitted with **fully sealed 70mm stub axles** for superior stability and smooth towing performance.



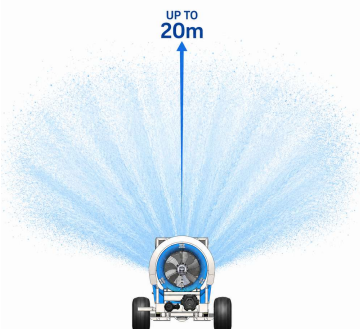
2-POINT TOW HITCH

Heavy-duty twin tow hitch featuring durable **nylon pivot points, 30° lockout, and up to 110° turning** for exceptional stability and manoeuvrability.

POWER PROP OVERVIEW

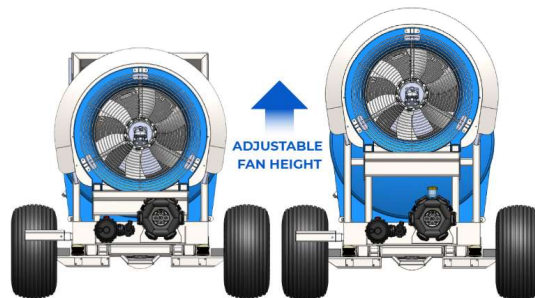
APPLICATION TYPE:	Orchard
TANK SIZES:	4000-7000L
HITCH TYPE:	2-Point Tow Hitch
FRAME CONSTRUCTION:	Triple Coated Luxathane
AXLE TYPE:	Suspension Axle
WHEELS SIZE:	400-60-15.5
PUMP TYPE/SIZE:	Bertolini IDB 2600 260L Pump
WATER SECTIONS:	2 ARAG Water Sections
JET TYPE:	ALBUZ 60° Hollow Cone Jets
SPRAY COVERAGE HEIGHT:	20m from Ground
FAN SIZES:	2 x 800mm Fans
FAN LAYOUT:	Counter-Rotating POLY Twin Fan
HEIGHT ADJUST:	12 - 24" (304.8 - 457.2mm)
COMPUTER/CONTROLLER:	ARAG Bravo 180s
OPTIONAL ELECTROSTATIC TECHNOLOGY	
MINIMUM PTO REQUIREMENT DEPENDS ON BUILD	

20M SPRAY COVERAGE



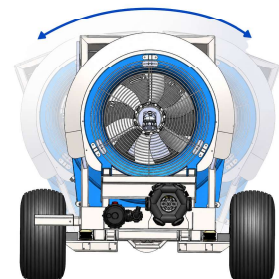
Delivers spray coverage up to **20 metres high** from ground level, reaching even the tallest trees while powering through dense foliage.

HYDRAULIC LIFT



The twin fan is mounted to a hydraulic boom, allowing it to raise an additional **24" above the standard height** for increased vertical coverage.

HYDRAULIC TILT (OPTIONAL)



Optional **hydraulic tilt** allows the twin fan boom to angle with uneven terrain, ideal for **macadamia orchards** and sloped ground conditions.

FOR CONTACT DETAILS, PLEASE SCAN THE QR CODE ON THE REVERSE SIDE